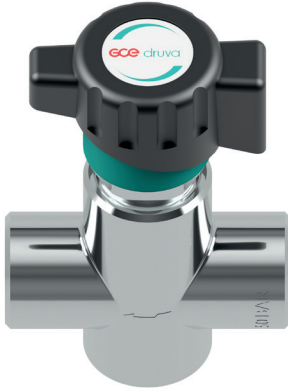


VSLDSMAREX – DRUVA® PUR SHUT-OFF VALVE

VALVE | PURE LINE (STAINLESS STEEL) | 20 m³ SERIES | DIAPHRAGM SHUT-OFF VALVE
| MANUAL ACTUATION | 2-PORT VERSION



2-port metal diaphragm shut-off valve is used in supply systems for pure, inert, flammable, oxidizing, corrosive and toxic gases and gas mixtures. Maximum gas purity is 6.0.

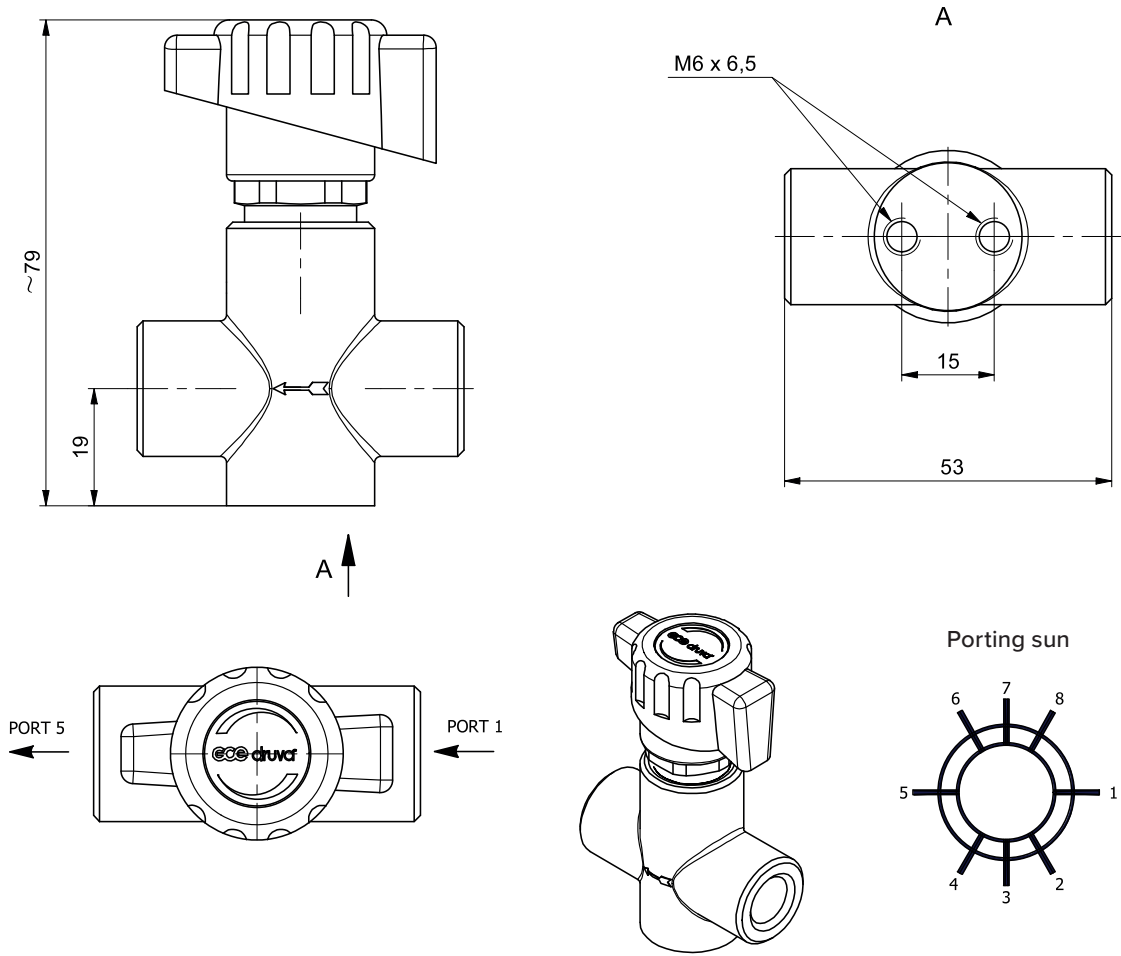


SPECIAL FEATURES:

- > With its maximum working pressure of 50 bar and a seat diameter of approx. 8 mm, this diaphragm valve is particularly suitable for use in ultra-pure gas pipelines.
- > Metallic sealing of the valve to the atmosphere by means of a Hastelloy diaphragm.
- > Compact design
- > Opens and closes after 90° rotation of the handwheel

TECHNICAL DATA	
Working temperature:	-20 °C to +60 °C
Inlet / outlet ports:	1/4" NPT female or adapter with double compression fitting
Max. working pressure:	50 bar
Cv-value:	0,26
Seat diameter:	8 mm
Leakage rate seat:	<1x10 ⁻⁶ mbar l/s (Helium)
Leakage rate outside:	<1x10 ⁻⁹ mbar l/s (Helium)
Weight:	0,28 kg
Material gas wetted parts:	
Valve body:	Stainless Steel
Valve diaphragm:	Hastelloy
Valve seat:	PCTFE
Valve poppet:	Stainless Steel
Return spring	Stainless Steel
For detailed information on tests and approvals during development and production of our TEC/PUR series see DATA-SpecGeneral-EN .	

TECHNICAL DRAWING



- N14F - NPT1/4" female
- 0000 - Without (Port 3 and Port 7)
- M03S - Compression Fitting ø 3MM SST
- M06S - Compression Fitting ø 6MM SST
- M08S - Compression Fitting ø 8MM SST
- M10S - Compression Fitting ø 10MM SST
- M12S - Compression Fitting ø 12MM SST
- IX2S - Compression Fitting ø 1/8" SST
- IX4S - Compression Fitting ø 1/4" SST
- IX6S - Compression Fitting ø 3/8" SST
- IX8S - Compression Fitting ø 1/2" SST

ORDER CODE:

Example for a Valve | PUR Linie | Stainless Steel | Low Flow | Diaphragm Shut-off Valve | Manual Actuation | 2-Port Version

VSL	DS	M	AR	EX	N14F (1/4" NPT female)	0000	N14F (1/4" NPT female)	0000
Type	Actuation	Porting Code	Working Pressure (bar)	Connection Port 1	Connection Port 3	Connection Port 5	Connection Port 7	
DS Diaphragm Shut-off Valve	M Manual	AR 2-Port (1 In 5 Out)	EX 50	possible connection	0000 without	possible connection	0000 without	
				see table below		see table below		

Order code (as described above) without special characters or spaces! Complete Order Code **VSLDSMAREXN14F0000N14F0000**

